



One

EN Installation & Setup Guide



Table of Contents

Table of Contents	3
Introduction	4
Product overview	5
Before installation	5
Installation	7
Installing the App	8
Installing the mounting plate	9
Mounting the One	10
Connecting the cables	11
Configure the product	13
Finalise the installation	14
Product interface	15



Introduction

For all manuals, software and specifications visit volttime.com/downloads.

For help and troubleshooting, visit support.volttime.com.

This installation and setup guide includes:

- Mounting and wiring up One
- Configure the product
- LED/Screen status description

To install and configure a One, a smartphone with an internet connection is required as well as an internet source connected to the charger (Ethernet) (WiFi is not yet supported).

WARNINGS AND CAUTIONS



Whenever a condition, hazard or unsafe practice can result in serious personal injury or death, a **WARNING** will be indicated.

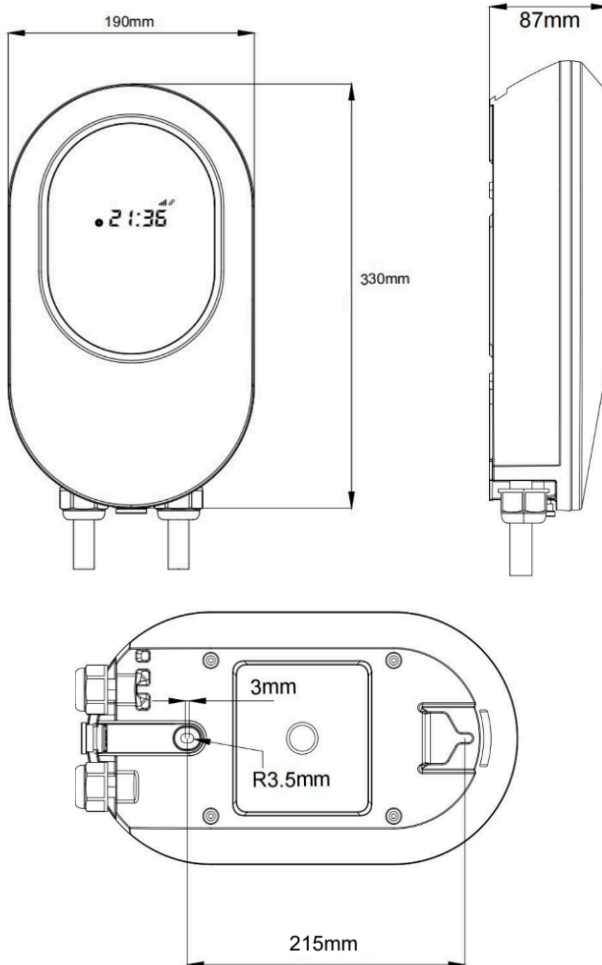


WARNING: Volt Time stipulates that the installation as well as all maintenance or reparation on this product must be performed by a certified electrician. All applicable local, regional and national regulations for electrical installations must be followed.



Product overview

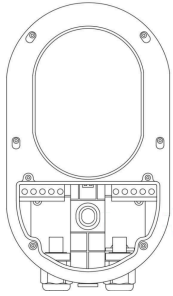
Charger dimensions



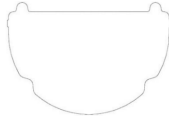


Contents

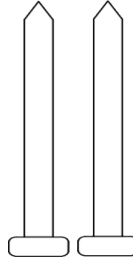
#1:
1x Charger unit



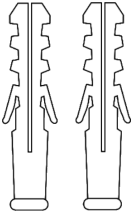
#2:
1x Electrical
compartment
cover



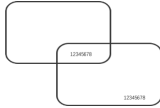
#3:
2x Screws
(M6x70mm)



#4:
2x Wall Plugs
(M12x57mm)



#5:
2x RFID Tag



#6:
1x Drill hole
diagram



#7:
1x Throughput
(M32)



Before installation

The following prerequisites are mandatory to fully commission the product:

- A mobile device with internet connection.
- The installation app on a mobile device.
- The product with an internet connection.
- **!** **Requires** a CAT5(e) ethernet cable (or WiFi once supported) connection for internet.
- Upstream Circuit Breaker and RCD Type A (30mA).

Optimal charging

For an optimal charging experience the following is recommended:

- To avoid overloading the main fuses of the building, one of our selected Dynamic Load Management modules is recommended. These modules will dynamically adjust the maximum current of the product and provide the option to charge fully on surplus solar energy.
- Always use the largest available cable cross-section. (max 6mm²).



CAUTION: The grid type as well as cable-cross sections should be determined by the electrician before installing the product.



Installation

WARNING: Prior to the installation of the product, the power supply must be switched off. Make sure to follow this manual closely and with extreme caution.

The instructions and procedures discussed in this manual must be followed and applied at all times, or else it will result in an invalidated installation. This will cause Volt Time B.V. to waive all liability and claims for compensation.

Installations and maintenance on this product must only be performed by qualified and authorised personnel. Any technical support or repairs on the product must be executed by Volt Time or a pre-approved Volt Time certified company.

All applicable local, regional and national laws and regulations must be adhered to at all times.

Do **not** install or use the product in case of damage as it can lead to unsafe or hazardous conditions which may result in electrical shock or (potentially fatal) injury.

Avoid placing the product in a location exposed to direct sunlight or extreme weather/temperature conditions.





Installing the App

1. Scan the QR code to download the installation app and create a free account.
2. Log in with your (newly created) Installer account.
3. Enter the serial number or scan the QR on the side of the One.
4. Check the installation requirements via the installer app and return to this guide afterwards.



Warning: It is not possible to commission a One charger without using the installation app. The charger will remain “unconfigured” and unusable until you use the app.



Or go to <https://volttime.com/installer> to install the installation app on your mobile device.

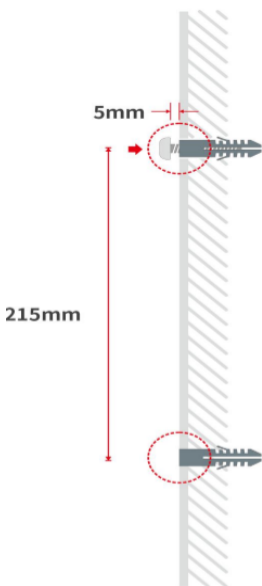


Mounting (level wall)

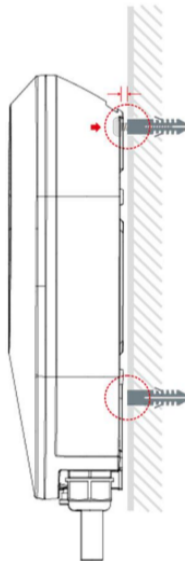
These instructions are for **wall mounting**. When mounting on a Volt Time Mounting Pole, please refer to its manual for this step.

1. Drill two $\text{Ø}12\text{mm}$ holes vertically 215mm apart. Insert the plugs.
2. Insert the first screw in the top plug, leaving 5mm of space. Please use a PH3 tool to insert the screws.
3. Hang the charger around the top screw. Level it.
4. Fasten the second screw through the hole in the charger.
5. Cover the second screw with the screw cover.

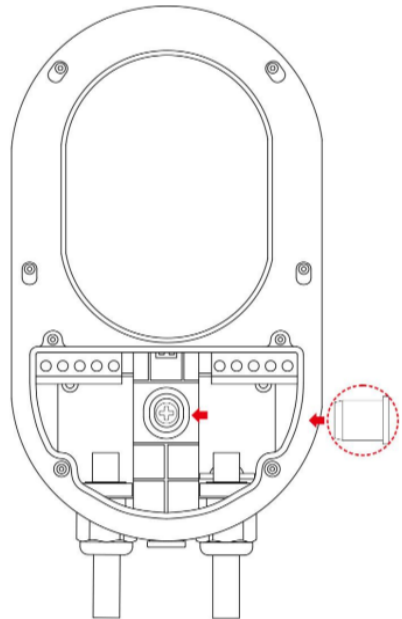
Steps 1-2:



Step 3:



Steps 4-5:



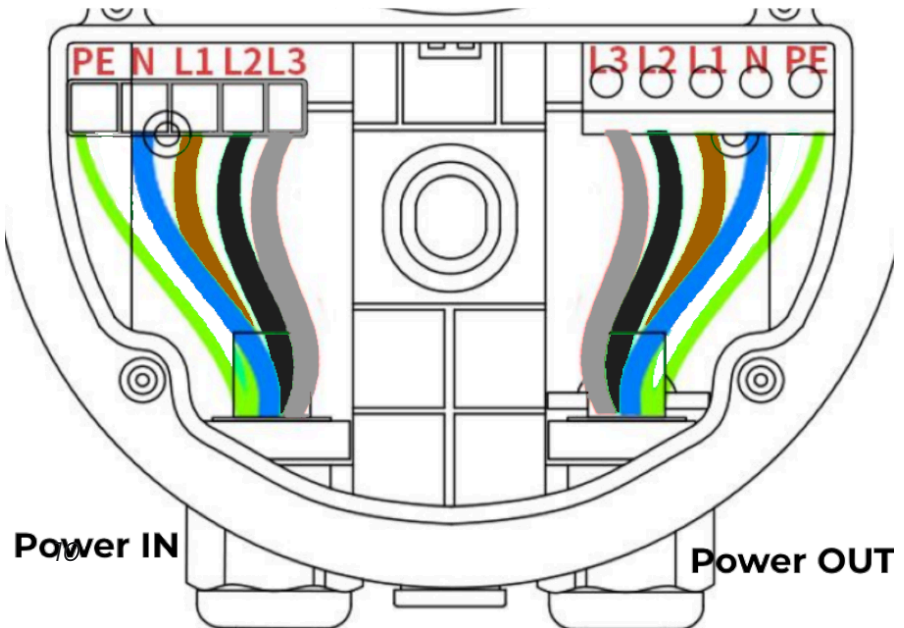


Connecting the cables

Power IN cable

1. Insert the power cable via the left throughput.
2. Strip 12mm off the wire cores.
3. You can use stranded or solid cores. For stranded cores, use ferrules accordingly.
4. Connect the wires to the left hand green terminals with 1 Nm torque and according to the table below using a PH2 tool.
5. Fasten the Power IN throughput gland to make it watertight.

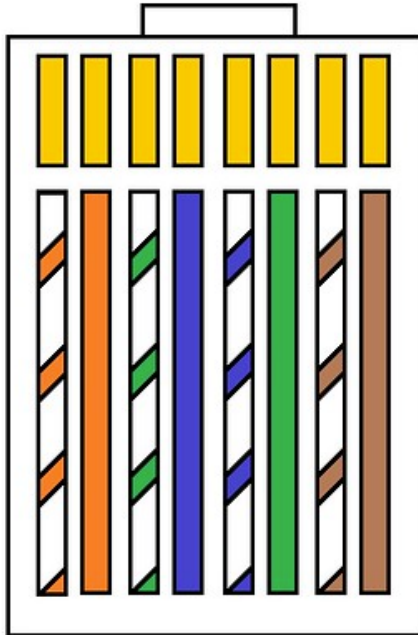
Earthing System	Power Connection				
		N	1	2	3
TN/TT (230V)	PE	N	L1		
TN/TT (400V)	PE	N	L1	L2	L3
IT (230V)	PE	L1	L2		





Ethernet connection (highly recommended)

1. Use a CAT5(e) ethernet cable with a maximum length of 100m.
2. Strip 12.5mm from the outer coating on each end of the cable.
3. Crimp the RJ45 connectors onto both ends of the CAT5(e) cable.
4. Test the ethernet cable using a LAN Cable Testing Device.
5. Connect the ethernet cable to the Router/Switch inside the building as well as the RJ45 port on the bottom of the product.
6. If no ethernet cable is used during the installation, place the RJ45 protection cover inside the RJ45 port at the bottom of the charger.

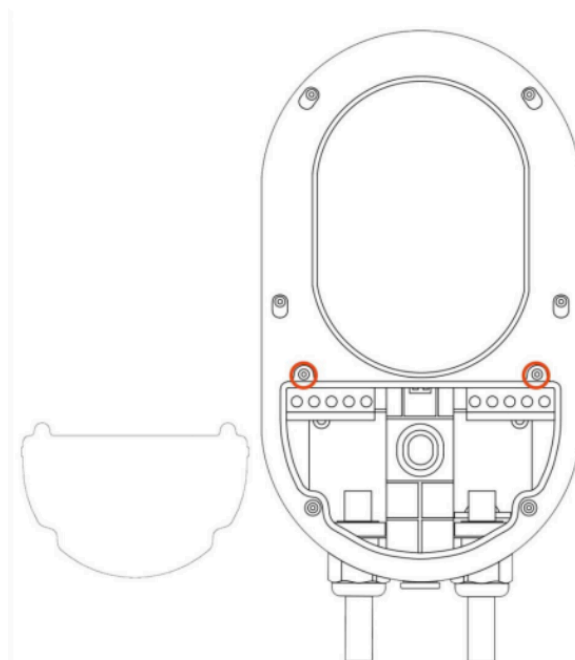




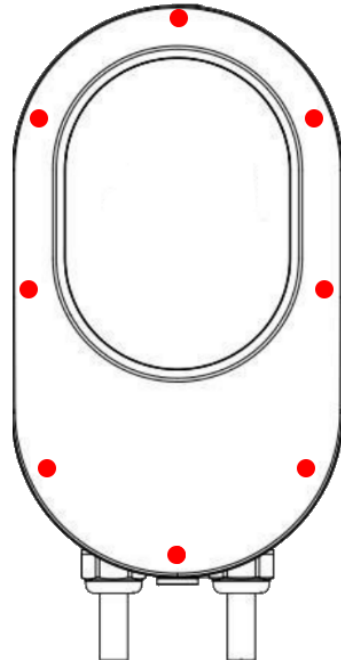
Close the charger

1. Close the electrical compartment using the two screws and electrical lid provided to a torque of 1.5Nm. Make sure it is fully clicked shut and properly sealed. Please use a TX10 tool.
2. Fit the cover, by pressing it down on the 8 red points indicated below. Make sure the cover clicks onto the charger at each of the points. The cover is included in a separate packaging. If you do not fit this cover properly, warranty is voided.

Step 1:



Step 2:





Configure the product

1. Turn on the power supply by switching on the Circuit Breaker inside the distribution box.
 - *Ethernet*: Within 5 minutes, the charger should have internet (left symbol) and connected (right symbol).



- [Currently WiFi is not yet supported]
WiFi: Open the installer app and follow the instructions there to configure the charger. If you skip this step, the charger may not function properly.
2. After the configuration, return to this manual.



Test the installation

1. Start a test session by plugging the charging cable into the car.
Note:
 - A One fixed cable variant can be connected to the car by plugging the charging cable into the charging port of the car.
 - The RFID card may first need to be added via the **User App** before starting a session. It can be found at volttime.com/app
2. The message “Charging” will appear, indicating that the charger is charging the car.
3. Make sure any Dynamic Load Management accessories and configurations are working properly. You can do this by turning off the solar inverters, starting/stopping the charging session and by turning on and off other devices in the building. You can also double-check any meter readings by using a clamp meter to read Amps.
4. Provide the One owner with any and all manuals, pincodes and deliverables.



Well done. You are finished with the installation and configuration of One!

Insulation Test

After the installation of the product, insulation testing can be performed on the installation. During the test, the product has to be disconnected from the installation. If the product is still connected to the installation, the test results may fail or the electronics of the product may get damaged.



Status icons and codes



Status	Error code
Off Ground	0001
Leakage Current Monitor tripped	0002
Overcurrent protection	0004
Overvoltage protection	0008
Undervoltage protection	0016
Energy meter issue	0032
Control pilot issue	0128
Overtemperature protection	0256
Ground fault	0512
Ground Self-Test	1024

Installer App



User App



For help, visit **support.volttime.com**

VOLT  TIME

Meer en Duin 216 - 2163HD, Lisse
www.volttime.com

September 2024 - v14-09-2024

Copyright 2024 Volt Time B.V.
Volt Time® is a Registered Trademark.



10013